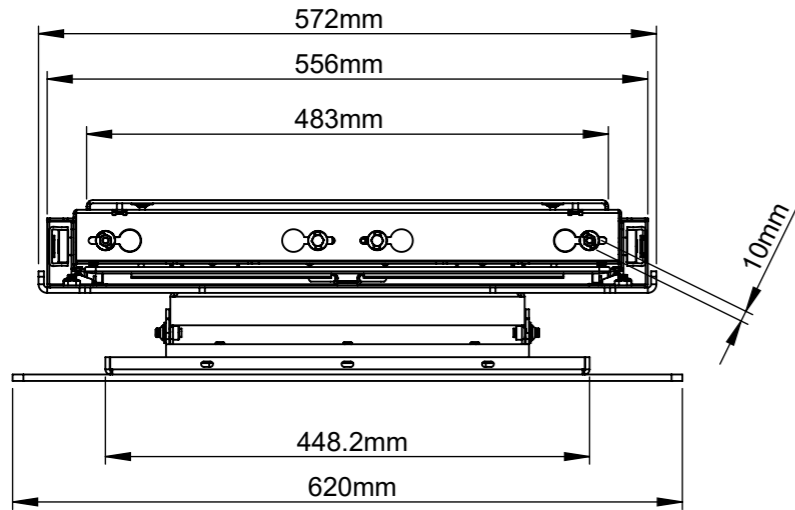
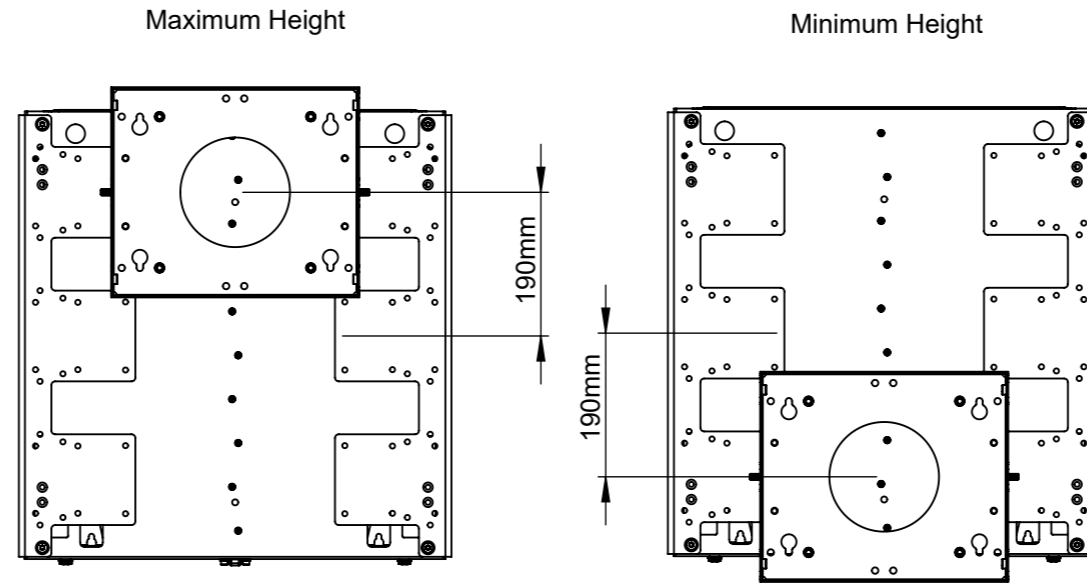


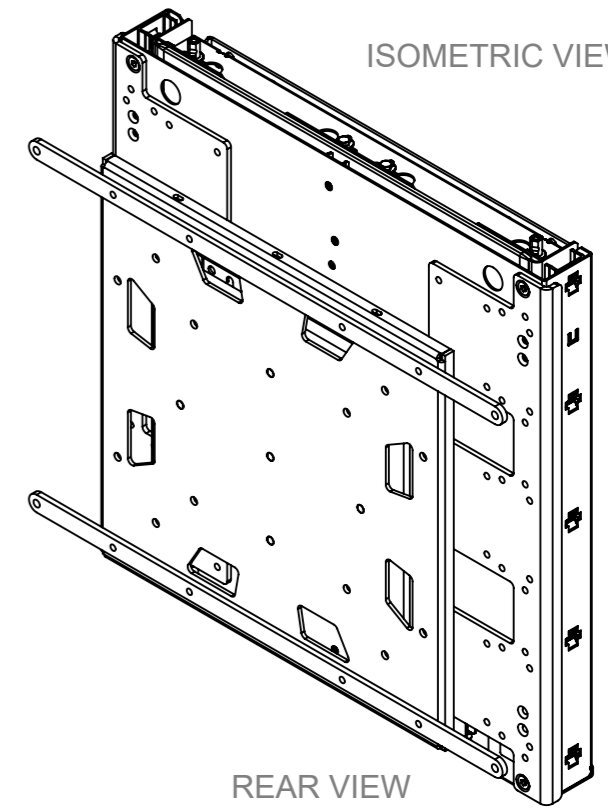
TOP VIEW



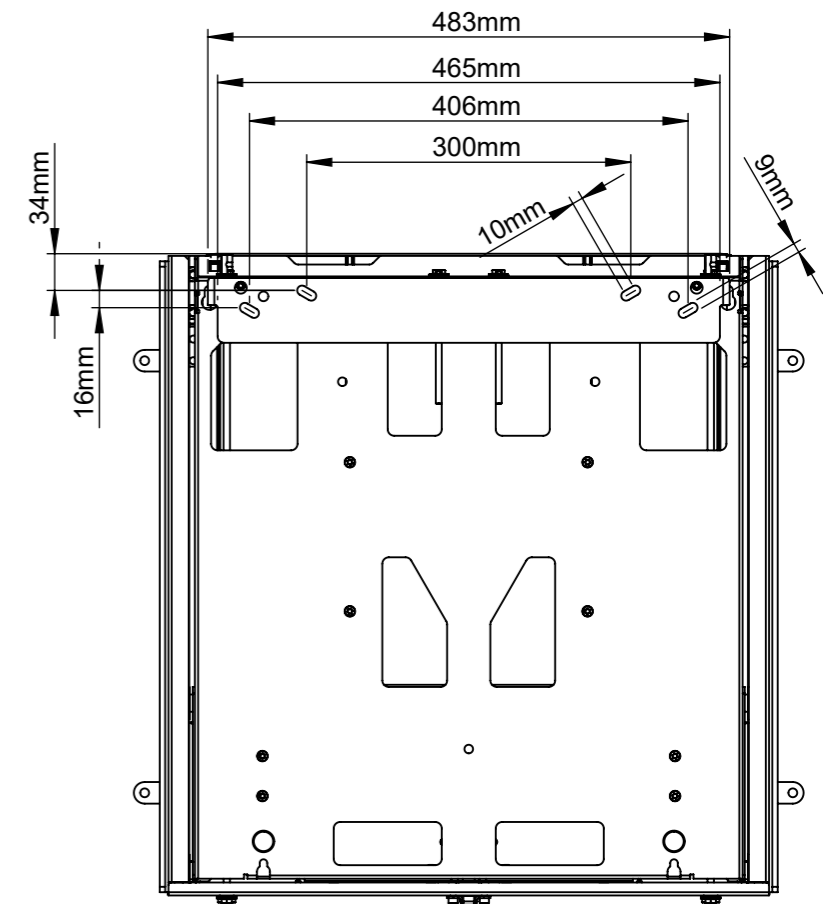
Height Options



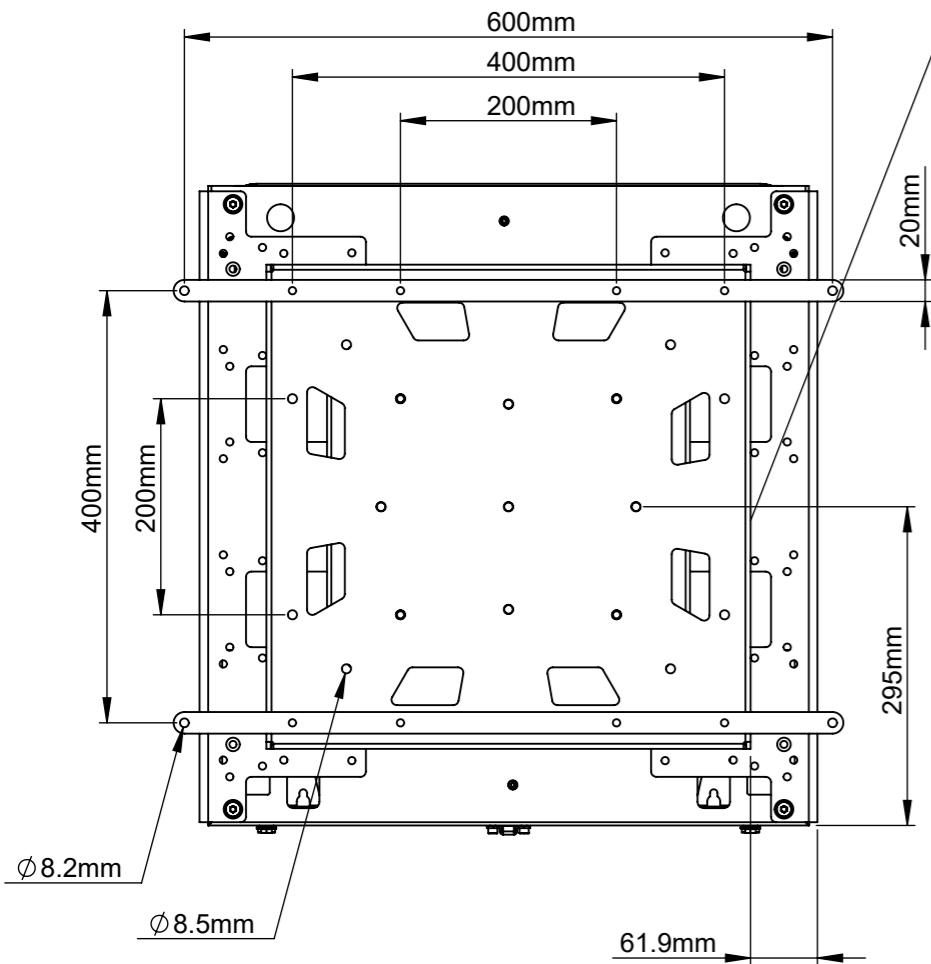
ISOMETRIC VIEW



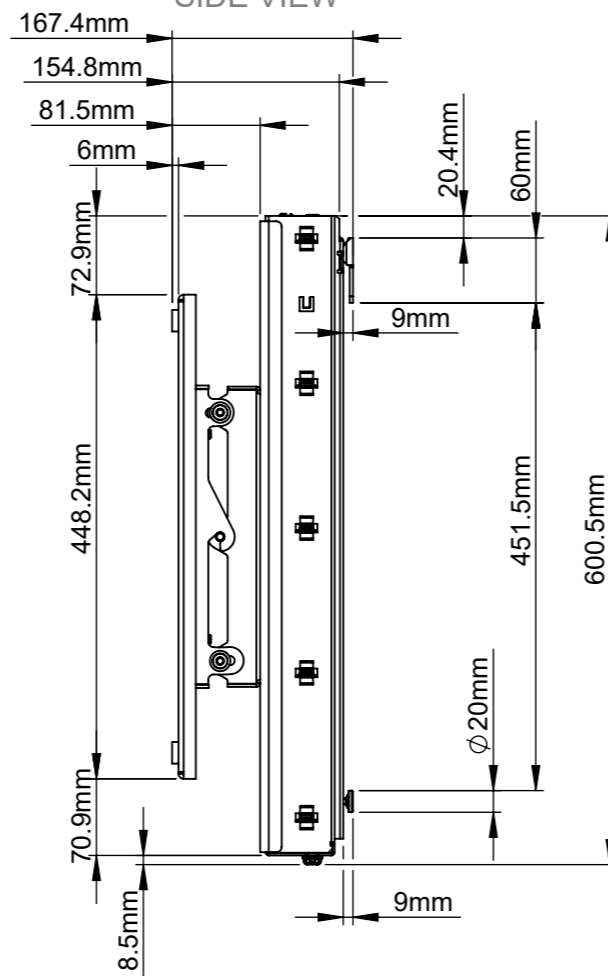
REAR VIEW



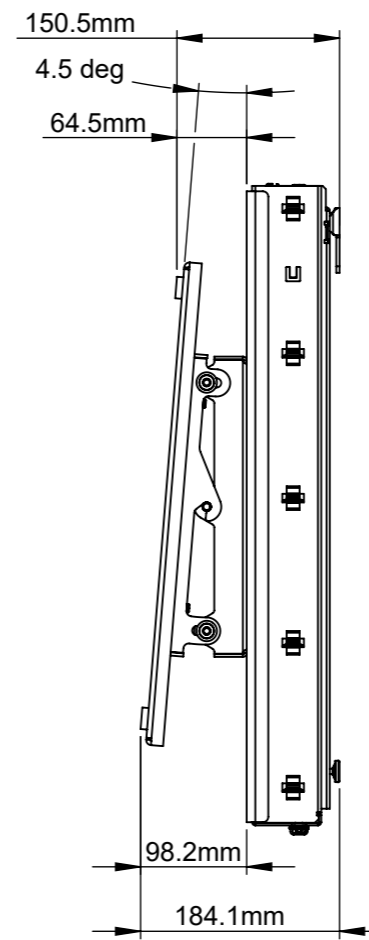
FRONT VIEW



SIDE VIEW



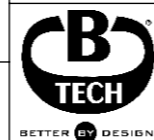
SIDE VIEW (-4.5° TILT)



B-Tech International Design & Manufacturing Limited
Part of the B-Tech International Group

B-Tech No: BT8603-01

Title: Rotational Flip Mount with Tool-less Height Adjustment (Load: 20-50kg)



UNLESS OTHERWISE SPECIFIED DIMENSIONS ARE IN MILLIMETERS

Size: A3
Scale: 1:7
Sheet: 1 of 1

Revision: R00
Date: 05/09/2019
File Name: BTD-BT8603-01